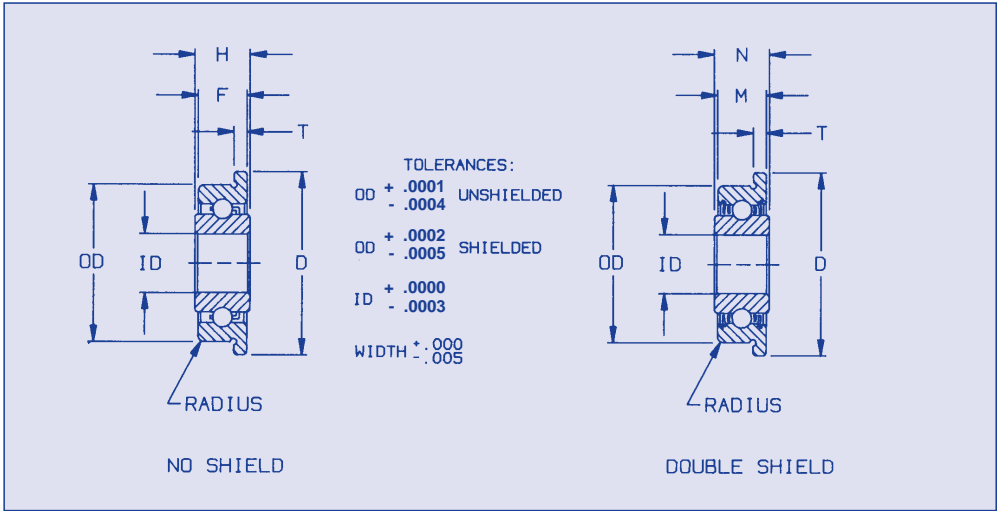


EXTENDED INNER RACE BEARINGS

FLANGED

A

INCH SIZES ABEC 3 TOLERANCES



Material: 400 Series Stainless steel.
Manufacturers Standard Lubrication
 Alternate Lubrication available on request

ORDER BY CATALOG NUMBER

I.D.	O.D.	Flange Dia D	Width Outer Open F	Width Inner Open H	Width Outer Shielded M	Width Inner Shielded N	T	Shield Data	Cat. No.
.0937	.3125	.359	.1094	.1406	.1406	.1719	.023	No Shield	ABS-F6-106
								Double Shield	ABS-F6-107
.1250	.2500	.296	.0937	.1250	.1094	.1406	.023	No Shield	ABS-F6-108
								Double Shield	ABS-F6-109
.1250	.3125	.359	.1094	.1406	.1406	.1719	.023	No Shield	ABS-F6-110
								Double Shield	ABS-F6-111
.1250	.3750	.422	.1094	.1406	.1406	.1719	.023	No Shield	ABS-F6-112
								Double Shield	ABS-F6-113
.1250	.3750	.440	.1562	.1875	.1562	.1875	.030	No Shield	ABS-F6-114
								Double Shield	ABS-F6-115
.1875	.3125	.359	.1094	.1406	.1250	.1562	.023	No Shield	ABS-F6-118
								Double Shield	ABS-F6-119
.1875	.3750	.422	.1250	.1562	.1250	.1562	.023	No Shield	ABS-F6-120
								Double Shield	ABS-F6-121
.2500	.3750	.422	.1250	.1562	.1250	.1562	.023	No Shield	ABS-F6-124
								Double Shield	ABS-F6-125
.2500	.5000	.547	.1250	.1562	.1875	.2188	.023	No Shield	ABS-F6-126
								Double Shield	ABS-F6-127
.2500	.6250	.690	.1960	.2260	.1960	.2260	.042	No Shield	ABS-F6-128
								Double Shield	ABS-F6-129
.3125	.5000	.547	.1562	.1875	.1562	.1875	.031	No Shield	ABS-F6-130
								Double Shield	ABS-F6-131